



TH330B

Telehandler



SPECIFICATIONS

Engine

Engine Model	
Standard	Cat® 3054E*
Optional	Cat® C4.4 ACERT**
Gross Power	
Standard	74.5 kW/100 hp
Optional	92 kW/125 hp
Maximum Torque	
Standard	410 Nm
Optional	499 Nm
Bore	105 mm
Stroke	127 mm
Displacement	4.4 liter

* Engine meets EU directive 97/68/EC Stage II emission requirements.
 ** Engine meets EU directive 97/68/EC Stage IIIA emission requirements.

- All engine horsepower (hp) are metric.
- Gross power to ISO 14396
- Maximum power shown is at 2200 rpm
- Maximum torque shown is at 1400 rpm.

Weights

Operating Weight	7200 kg
------------------	---------

Operating Specifications

Rated Load Capacity	3600 kg
Maximum Lift Height	7200 mm
Maximum Forward Reach	3820 mm
Top Travel Speed	40 km/h
Load at Max Height	2000 kg
Load at Max Reach	1250 kg

Tires

Standard	15.5/80-24 16 PR
----------	------------------

Brakes

Foot Brake	Servo assisted on front axle
Parking Brake	Dry disc on front axle

Hydraulic System

Maximum System Pressure	250 bar
Maximum Pump Flow	113 liter/min
Pump Type	
Variable Displacement Load Sensing Axial Piston Pump	
Auxiliary hydraulic supply	
Intermittent	90 liter/min
Continuous	60 liter/min

Service Refill Capacities

	liter
Fuel Tank	115
Hydraulic Tank	60

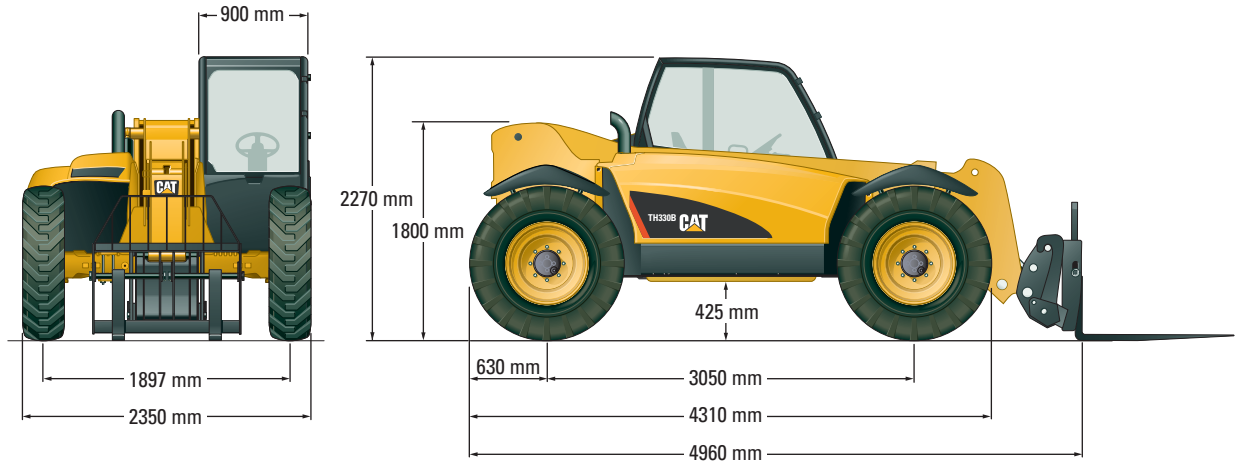
Transmission Speeds

Forward		km/h
1		7
2		13
3		22
4		34
5		40
Reverse		
1		7
2		13
3		22

Boom Performance

	seconds
Boom Up	5
Boom Down	4
Tele In	6
Tele Out	7
Crowd Forward (dump)	3
Crowd Backward	3
Combined	
Up and Out	11
Down and In	6

Dimensions



Load Chart

